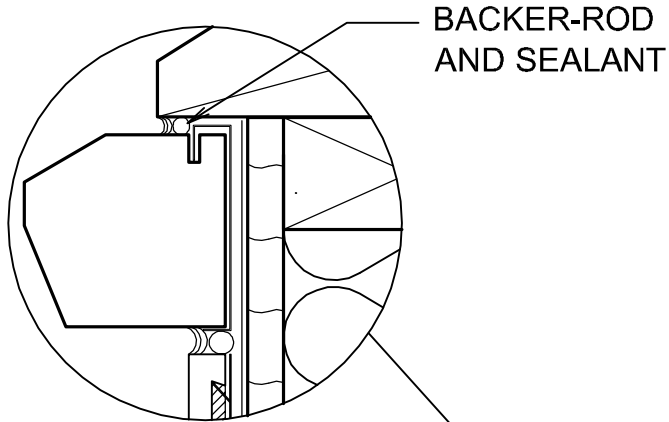
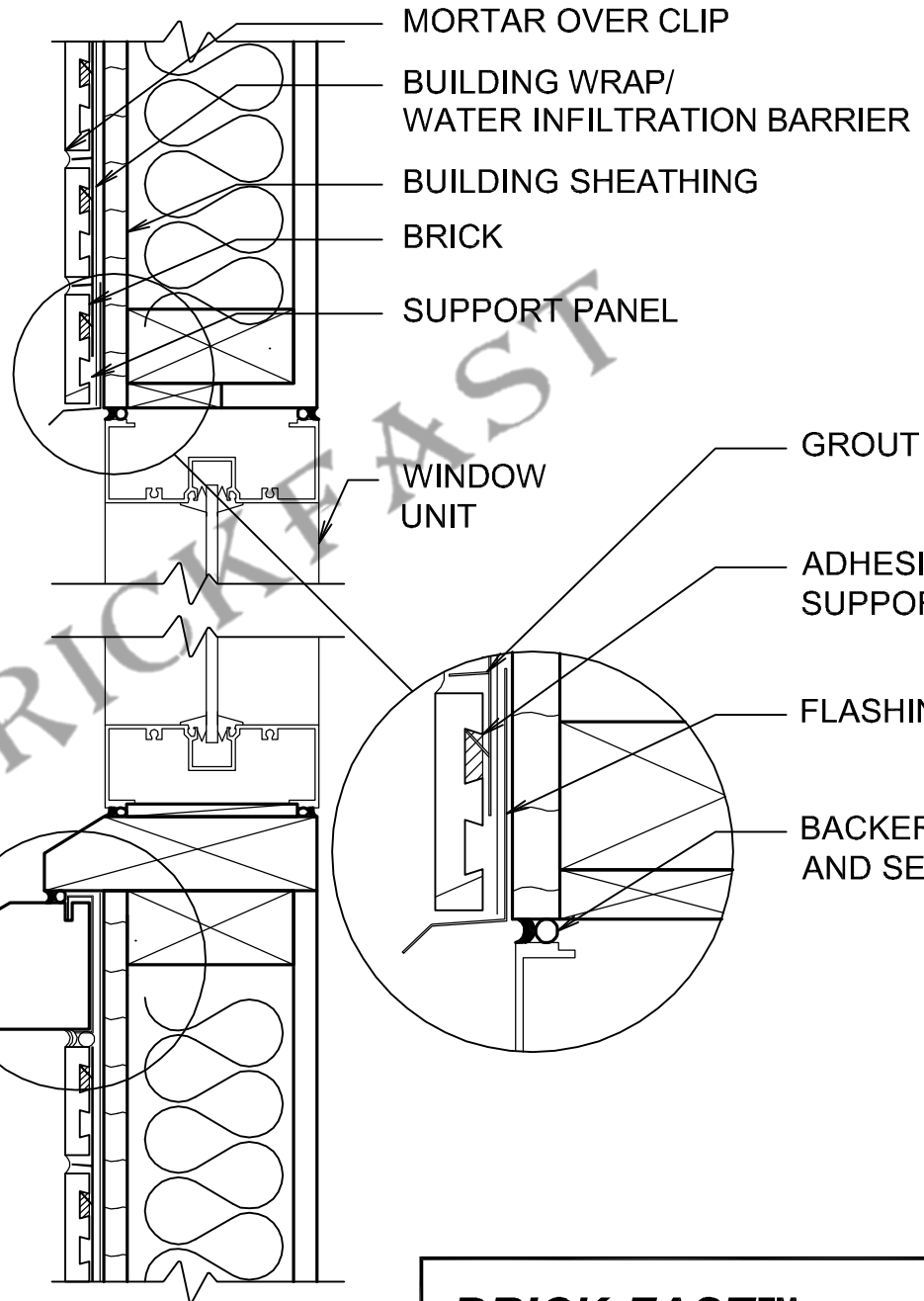
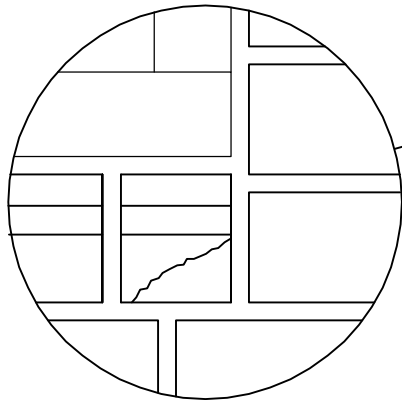


NOTE:
1. BUILDING WRAP OVER FLASHING



WEEP ROPE PLACED IN BRACKET BEHIND ROLOCK AND EXIT BOTH ENDS OF SILL



MORTAR OVER CLIP
BUILDING WRAP/
WATER INFILTRATION BARRIER
BUILDING SHEATHING
BRICK
SUPPORT PANEL
WINDOW UNIT
GROUT
ADHESIVE ON
SUPPORT CLIP
FLASHING
BACKER-ROD
AND SEALANT

BRICK-FAST™

SILL DETAIL W/ROLOCK

DN: FBS

SCALE: 3" = 1'-0"

5-25-07

AP: C.S. R.A.