

BUILDING WRAP  
OVER DRIP FLASHING

SEALANT  
BENEATH FLASHING

BACKER ROD

SUB-FLOOR

FLOOR JOIST

BUILDING WRAP/  
WATER INFILTRATION  
BARRIER

MORTAR CLIP

ADHESIVE ON SUPPORT  
CLIP

SUPPORT PANEL

BUILDING SHEATHING

BRICK

MORTAR

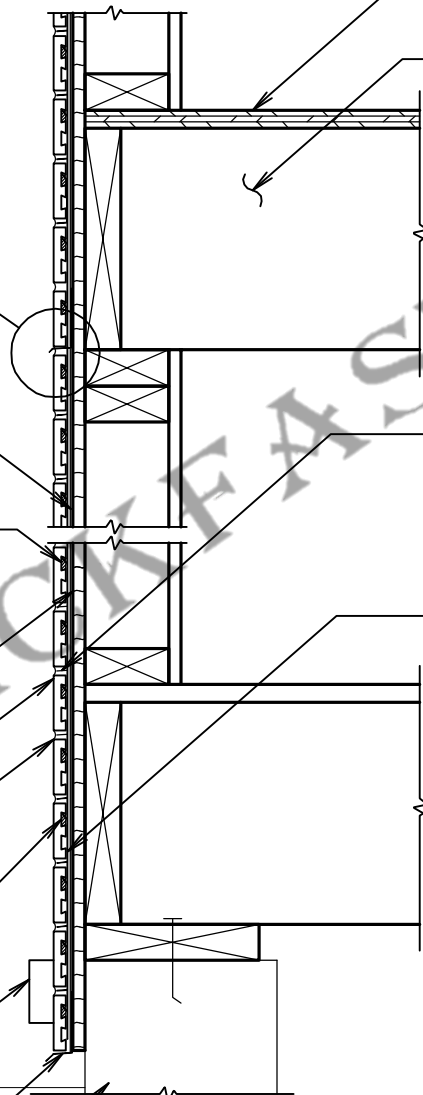
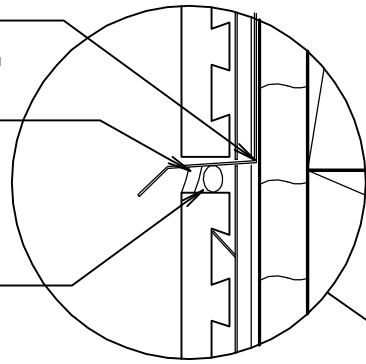
ADHESIVE AROUND  
SUPPORT CLIP

6" MAXIMUM  
WITHOUT JOINT

GRADE

DRIP FLASHING  
AT BRICK BOTTOM

FOUNDATION  
WALL



**BRICK-FAST™**

FLOOR LINE EXPANSION JOINT	DN: FBS
SCALE: 1 1/2" = 1'-0"	5-25-07 AP: C.S. R.A.