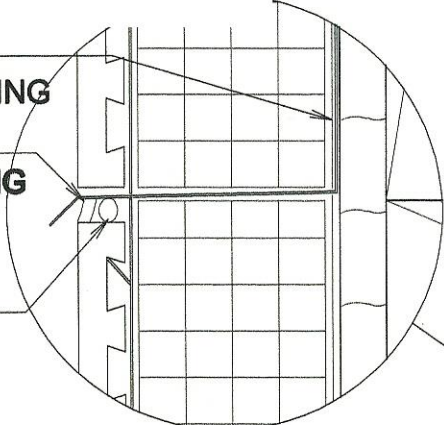


© BRICKFAST

BUILDING WRAP
OVER DRIP FLASHING

SEALANT
BENEATH FLASHING

BACKER ROD



BUILDING WRAP/
WATER INFILTRATION
BARRIER

ADHESIVE ON SUPPORT
CLIP

2" RIGID INSUL.

BUILDING SHEATHING

BRICK

MORTAR

ADHESIVE AROUND
SUPPORT CLIP

6" MAXIMUM
WITHOUT JOINT

GRADE

DRIP FLASHING
AT BRICK BOTTOM

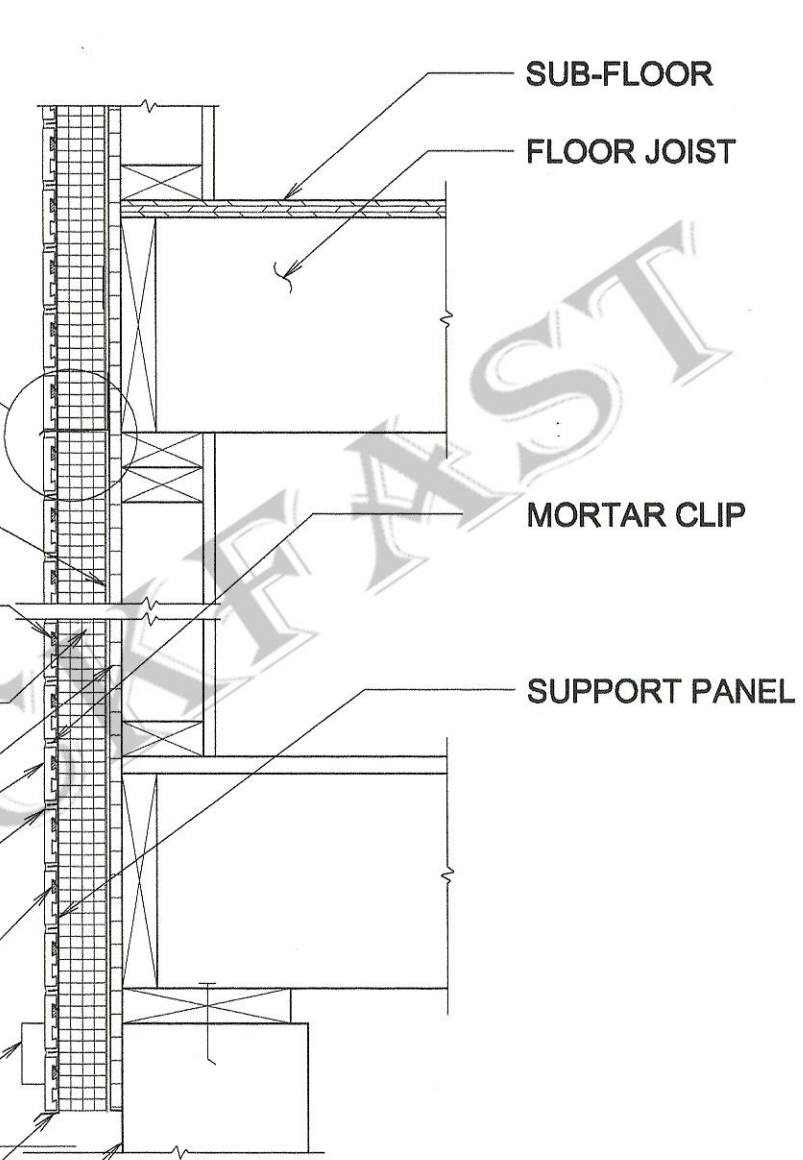
FOUNDATION
WALL

SUB-FLOOR

FLOOR JOIST

MORTAR CLIP

SUPPORT PANEL



BRICK-FAST™

FLOOR LINE EXPANSION JOINT DN: FBS

SCALE: 1 1/2" = 1'-0" 5-25-07 AP: C.S. R.A.