

CONCRETE MASONRY UNIT

SUPPORT PANEL OVER BUILDING SHEATHING

BUILDING WRAP/
WATER INFILTRATION BARRIER

ADHESIVE OVER SUPPORT CLIPS

BRICK

MORTAR

MORTAR CLIP

DRIP FLASHING

WALL OR FILL MATERIAL

GRADE

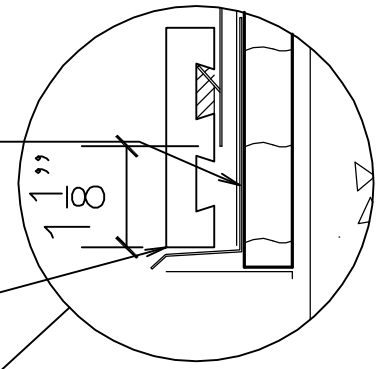
FOUNDATION WALL

INSTALL BUILDING WRAP OVER DRIP FLASHING

BRICK

COMPRESSIBLE FILLER

CONCRETE SLAB



© BRICKFAST

BRICK-FAST™

BASE DETAIL MASONRY WALL DN: FBS

SCALE: 3" = 1'-0"

5-25-07

AP: C.S. R.A.